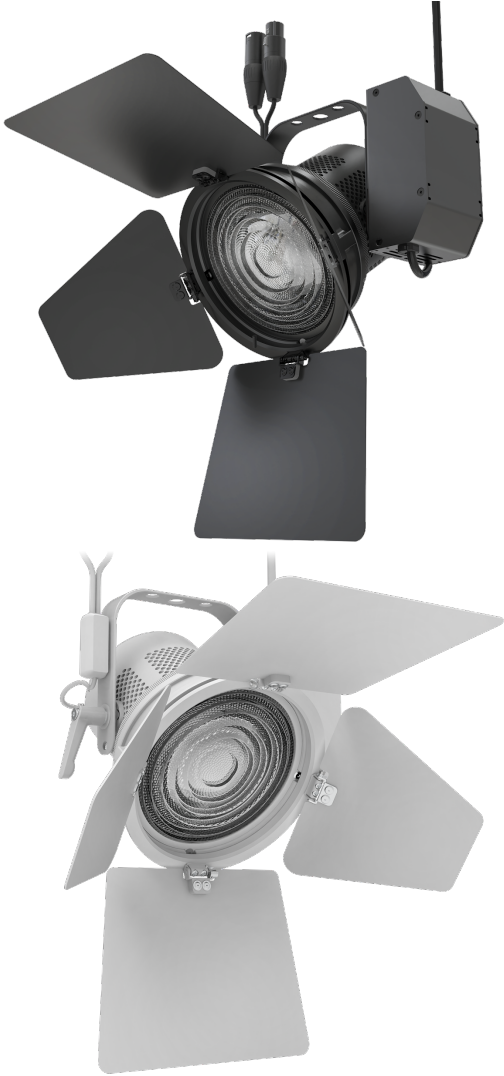


PROJECT		QUANTITY	
---------	--	----------	--

P3F Fresnel Light (Clamp)

90W LED/ 15°- 45°



ORDERING GUIDE

CXP3F - - - **CLP** - **PSV** -

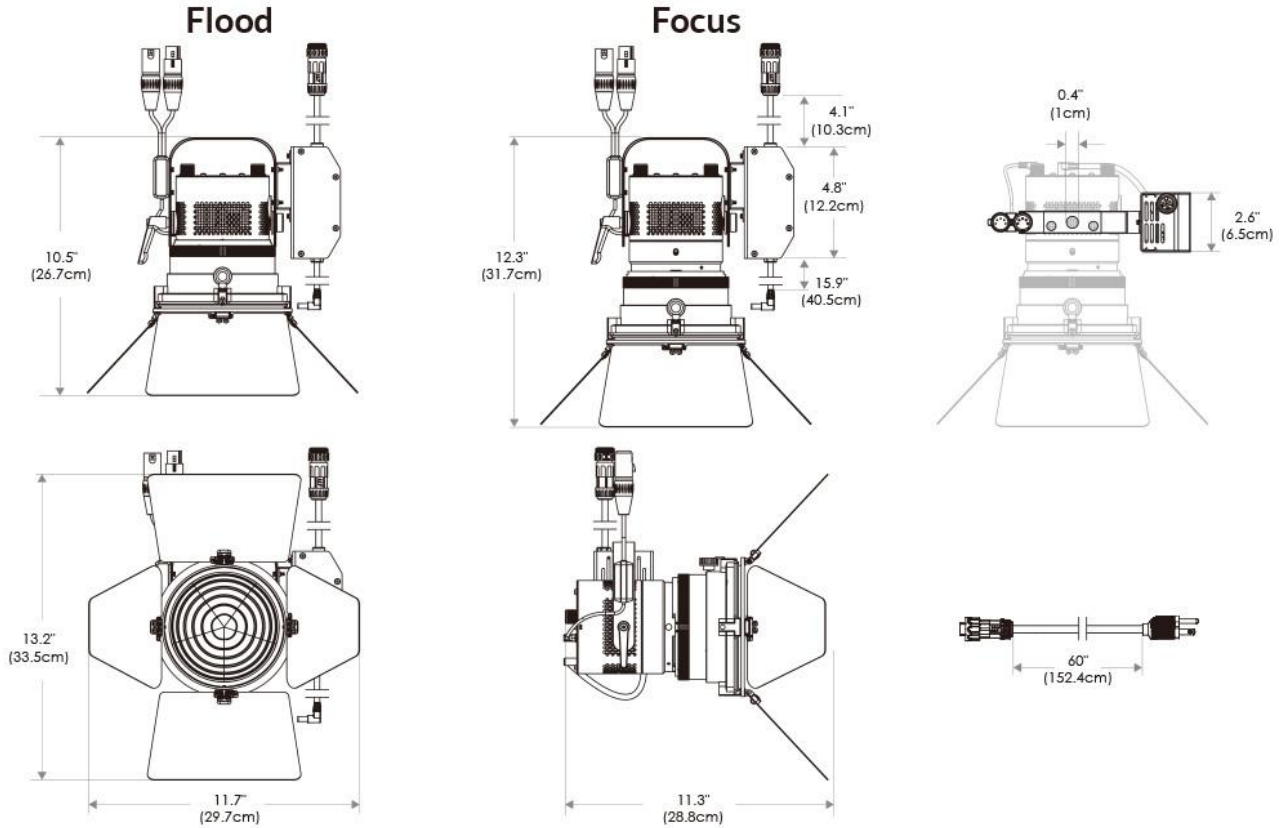
Mode	
CLR	All Modes
EZ	All EZ Modes
RGB	RGB Mode Only
CCT	Tunable CCT Mode Only
3200	Fixed 3200K
5600	Fixed 5600K
Finish	
WH	White
BK	Black
Mount	
CLP	Clamp Mount
Power Supply & Control	
PSV	Power Supply
Plug/Connection	
US	US 120V
EU	EU 220V

SPECIFICATIONS

Beam Angle	15°- 45°
CRI / TLCI	95/90 typical (in CCT Mode of 2800K-6500K)
Dimming	100% - 0% flicker free
Power Draw	90W max
AC Input	100 - 240V AC, 50 - 60Hz
Remote Control	DMX 512
Cooling	Fan Cooled
Acoustic Noise	23 dBA
Operating Temp.	32 - 104°F (0 - 40°C)
Weight (Fixture + Power Supply)	4.4lb / 2.0kg

- Cine-Grade Light Quality
- Point-Source LED
- DMX Controllable
- 90W Power Draw
- Compact (< 8" of Vertical Space)

MECHANICAL FIGURES

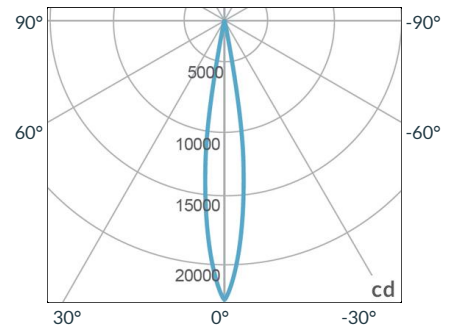


PHOTOMETRIC DATA

Focus

Distance		3' (~0.9 m)	10' (~3.0 m)	15' (~4.6 m)
@3200K	fc	2522	237	119
	lux	27147	2552	1281
@5600K	fc	2606	245	123
	lux	28051	2638	1324
Beam Diameter		Ø 2.3' (~0.2m)	Ø 7.5' (~0.8m)	Ø 11.3' (~1.2m)

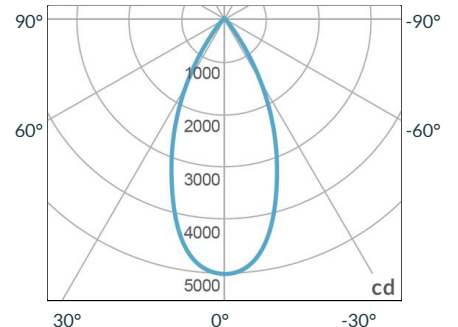
Beam Angle : 15°



Flood

Distance		3' (~0.7 m)	10' (~2.6 m)	15' (~3.4 m)
@3200K	fc	529	53	30
	lux	5695	571	323
@5600K	fc	564	55	31
	lux	6071	593	334
Beam Diameter		Ø 2.3' (~0.7m)	Ø 8.6' (~2.6m)	Ø 11.3' (~3.4m)

Beam Angle : 45°



MODE DESCRIPTION

Mode Description	Available Modes
- CLR	All Modes (8 bit and 16 bit)
- EZ	All EZ Modes (8 bit) (EZ CCT / EZ HSI / EZ RGBW / EZ RGB / EZ ICTHS / EZ ICT RGBW / EZ 3200K / EZ 5600K)
- RGB	EZ RGB (8 bit)
- CCT	EZ CCT (8 bit)
- 3200	EZ 3200K (8 bit)
- 5600	EZ 5600K (8 bit)

See Downloads portion of webpage for full DMX profiles